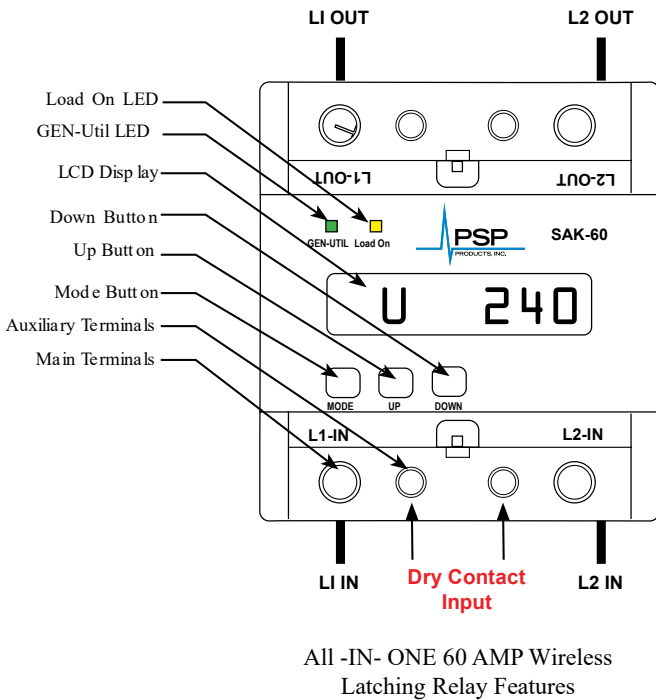


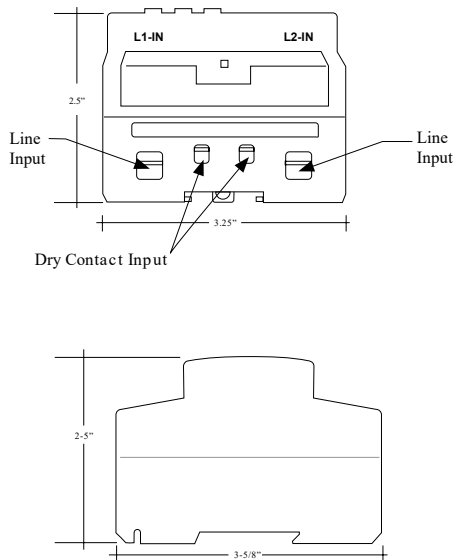
Wireless Generator Load Drop & Under Frequency Load Management Plus NO/NC Dry-Contact control input * Time Delay On Function * Over / Under Voltage Protection



Features

- Proprietary, adaptable generator detection and under frequency circuitry for precision WIRELESS Load Dropping and Load Management functions.
- Adjustable startup delay and under frequency restoration timers allow an unlimited number of load shedding devices to be used.
- Precision under frequency load shedding adjustments from 50.0 to 60.0 Hz for frequency and from 00.1 to 10.0 seconds delay before load shedding.
- Installs In-Line with 120 or 240 AC volt connected load. Relay is self powered from Line IN voltage, No external power supply needed. Switches at zero cross over point for maximum life expectancy of relay contacts.
- Can be installed as a standalone hardwired 60 amp latching relay with dry-contact control inputs. Works with NO or NC input control.
- Can be installed as a 60 Amp Time Delay Relay up to 9999 seconds.
- Can be used as a 60 amp Over / Under voltage protection relay with brownout and short cycle protection.
- Universal Din-Rail Mount Receiver.
- No computer or programming tool required. All adjustments are performed in minutes with three buttons using the LCD display.
- Compact size at only 3.25" X 4.75." Snap on finger guards for wiring accept wire sizes up to a 2 AWG.

Dimensions



Optional Enclosure Available - Model SAK-60-C

